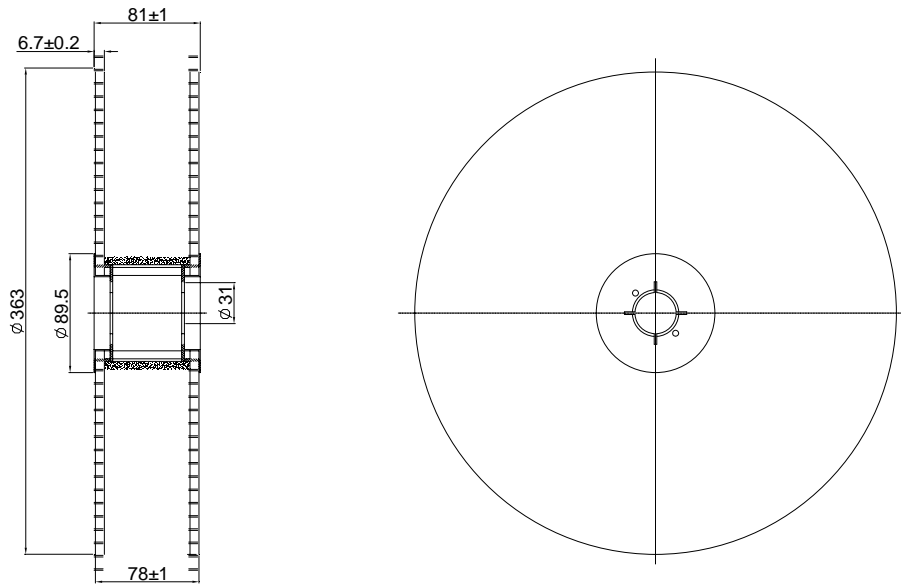
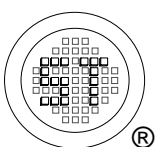


Reel Packaging Specifications for Lead Type Diodes



Dimensions in mm

Standard Packaging					
Item	Qty / Kpcs		Carton Measurement		
	Reel	Carton	G.W. / Kg	N.W. / Kg	Size / cm
DO-41 Rect. Diode 1A (52 mm)	5	25	13.2	8.5	37.5 X 37.5 X 42.5



SEMTECH ELECTRONICS LTD.
Subsidiary of Sino-Tech International (BVI) Limited



Dated : 23/04/2008