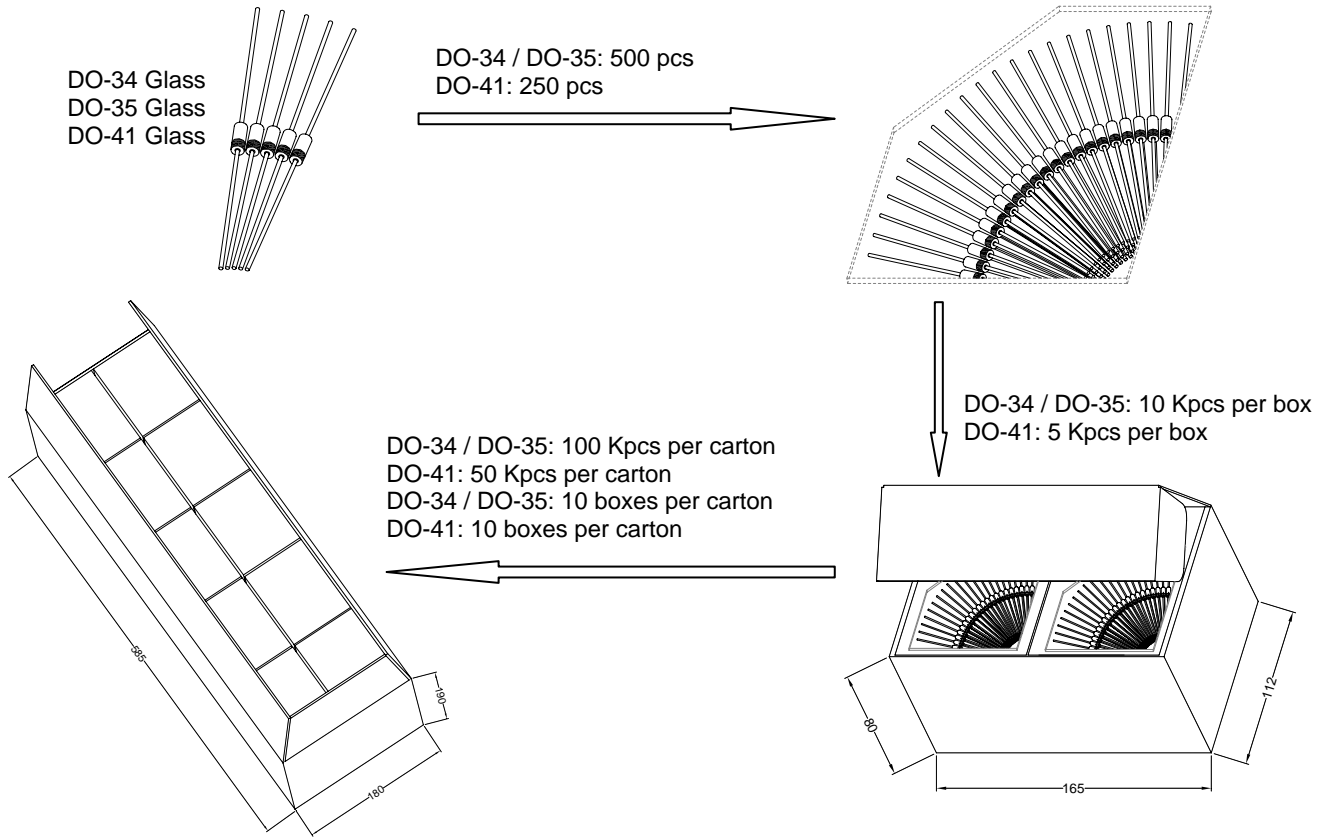


Packaging Specifications of Bulk Pack for Lead Type Diodes

1. The method of packaging and dimension are shown as below figure. (Dimension in mm)



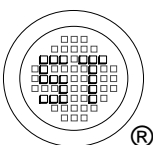
2. Label

2.1 The information of inner box label must be listed: (Description of a sample label)

- 2.1.1 TYPE **BZX55C2V0** means (Product) TYPE (Part No.)
- 2.1.2 QTY **10,000 PCS** means (Product) Quantity (QTY)
- 2.1.3 D/C **TT0C2H0129Z020** means Dice Lot No. / Code (D/C)
- 2.1.4 P/C **80092032** means Production Code (P/C)
- 2.1.5 **RMK80303 G PX H** = means Manufacturing Date (RMK)

2.2 The information of carton label must be listed:

- 2.2.1 TYPE
- 2.2.2 QTY



SEMTECH ELECTRONICS LTD.
Subsidiary of Sino-Tech International (BVI) Limited

