

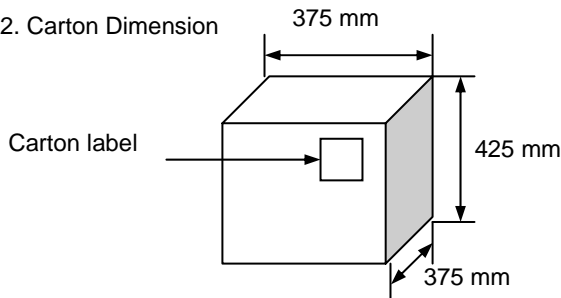
Packaging Specifications of 52 mm Reel Pack for Lead Type Diodes

1. Dimension and quantity of reel and taping.

Units in mm

Product outline	A	B	C	D	Quantity	b	c	f	g	h	l1-l2	m
DO-34 / DO-35	355.8	30.18	88.9	70.0	10 Kpcs / reel	52.25 ±0.25	6.25 ±0.25	5.00 ±0.30	1 max.	1 max.	1 max.	0.8 max.
DO-7					5 Kpcs / reel							
DO-41 (Glass)					5 Kpcs / reel							
DO-41 (Plastic)					5 Kpcs / reel							
DO-15					5 Kpcs / reel							
DO-201AD	-	-	-	-	1 Kpcs / reel							
R-6					500 pcs / reel							

2. Carton Dimension



- 2.1 1 reel / layer
- 2.2 5 reels / carton

3. Packaging Quantity

Product outline	DO-34 / DO-35	DO-41 (Glass)	DO-7	DO-41 (Plastic)	DO-15	DO-201AD	R-6
Quantity / Carton	50 Kpcs	25 Kpcs	25 Kpcs	25 Kpcs	25 Kpcs	5 Kpcs	2.5 Kpcs

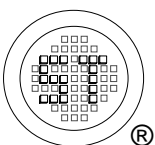
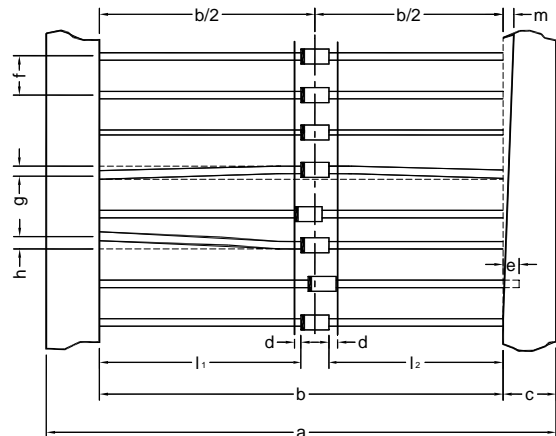
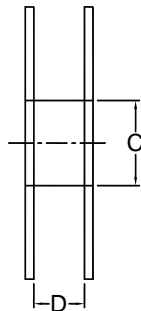
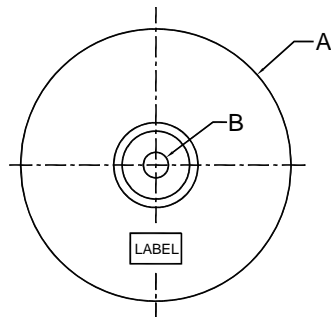
4. Label

4.1 The information of reel label must be listed:

- 4.1.1 TYPE
- 4.1.2 QTY
- 4.1.3 CODE
- 4.1.4 RMK

4.2 The information of carton label must be listed:

- 4.2.7 TYPE
- 4.2.8 QTY



SEMTECH ELECTRONICS LTD.
Subsidiary of Sino-Tech International (BVI) Limited



Dated : 23/04/2008