

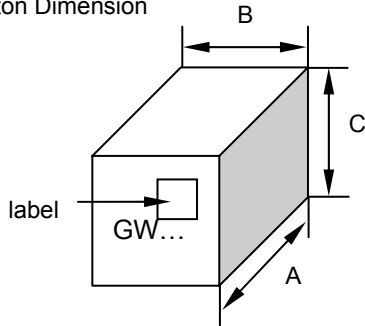
Packaging Specifications of 52 mm Ammo Pack R-1

1. The method of inner box packaging is shown in figure 1.
2. Dimension and quantity of inner box and taping.

Units in mm

| Product outline | A | B | C | Quantity | b | c | f | g | h | $ l_1-l_2 $ | m |
|-----------------|-----|----|-----|--------------|-------------|------------|------------|----------|----------|-------------|----------|
| R-1 | 256 | 80 | 140 | 5 Kpcs / box | 52.25 ±0.25 | 6.25 ±0.25 | 5.00 ±0.30 | 1.0 max. | 1.0 max. | 1.0 max. | 0.8 max. |

3. Carton Dimension



| Product outline | | R-1 |
|-----------------|--------|-----|
| Dimension | A (mm) | 430 |
| | B (mm) | 309 |
| | C (mm) | 325 |

- 3.1 10 box / carton
- 5 box / layer
- 2 layer / carton

4. Quantity of Carton Pack.

| | |
|-----------------|---------|
| Product outline | R-1 |
| Quantity | 50 Kpcs |

5. Label

5.1 The information of inner box label must be listed:

- 5.1.1 TYPE
- 5.1.2 QTY
- 5.1.3 CODE
- 5.1.4 RMK

5.2 The information of carton label must be listed:

- 5.2.1 TYPE
- 5.2.2 QTY

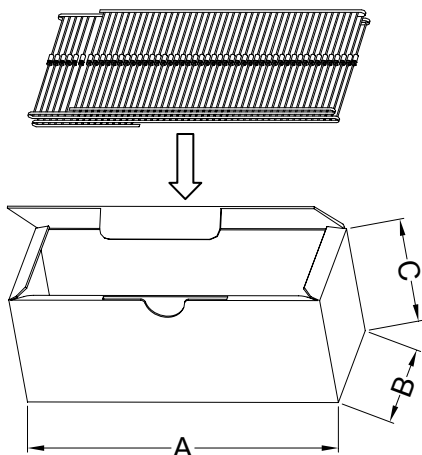
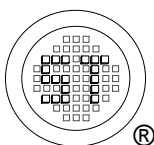
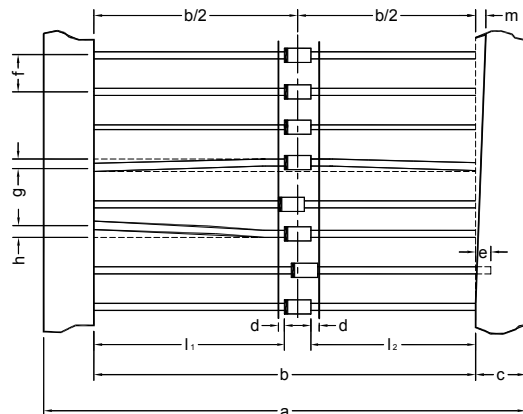


figure 1.



SEMTECH ELECTRONICS LTD.
Subsidiary of Sino-Tech International (BVI) Limited



Dated : 23/04/2008