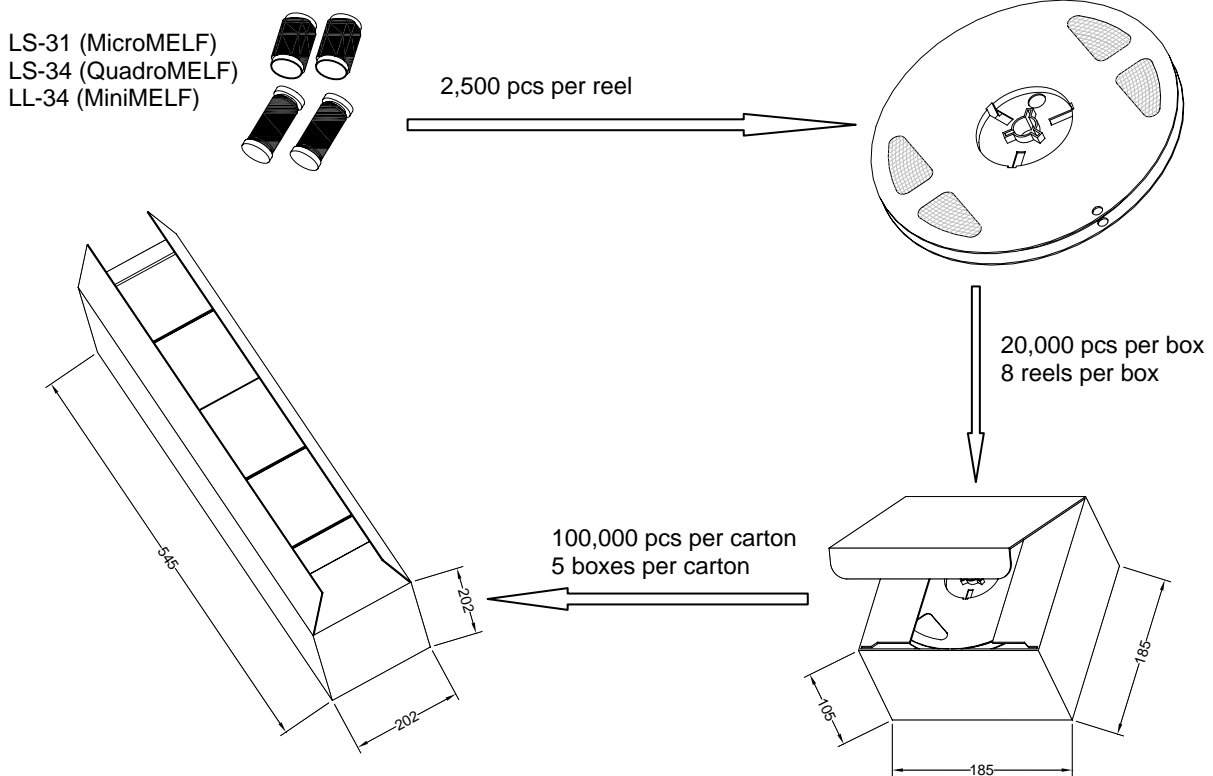


Packaging Specifications for Surface Mounted Glass Diodes

1. The method of packaging and dimension are shown as below figure. (Dimension in mm)



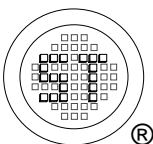
2. Label

2.1 The information of inner box label must be listed: (Description of a sample lable)

- | | | |
|-------|----------------------|---------------------------------|
| 2.1.1 | TYPE LL4148 | means (Product) TYPE (Part No.) |
| 2.1.2 | QTY 20,000 PCS | means (Product) Quantity (QTY) |
| 2.1.3 | D/C SLOB4H0107SA-B G | means Dice Lot No. / Code (D/C) |
| 2.1.4 | P/C 30127639A S 152 | means Production Code (P/C) |
| 2.1.5 | RMK 80126 PX KK NC | means Manufacturing Date (RMK) |

2.2 The information of carton label must be listed:

- 2.2.1 TYPE
- 2.2.2 QTY

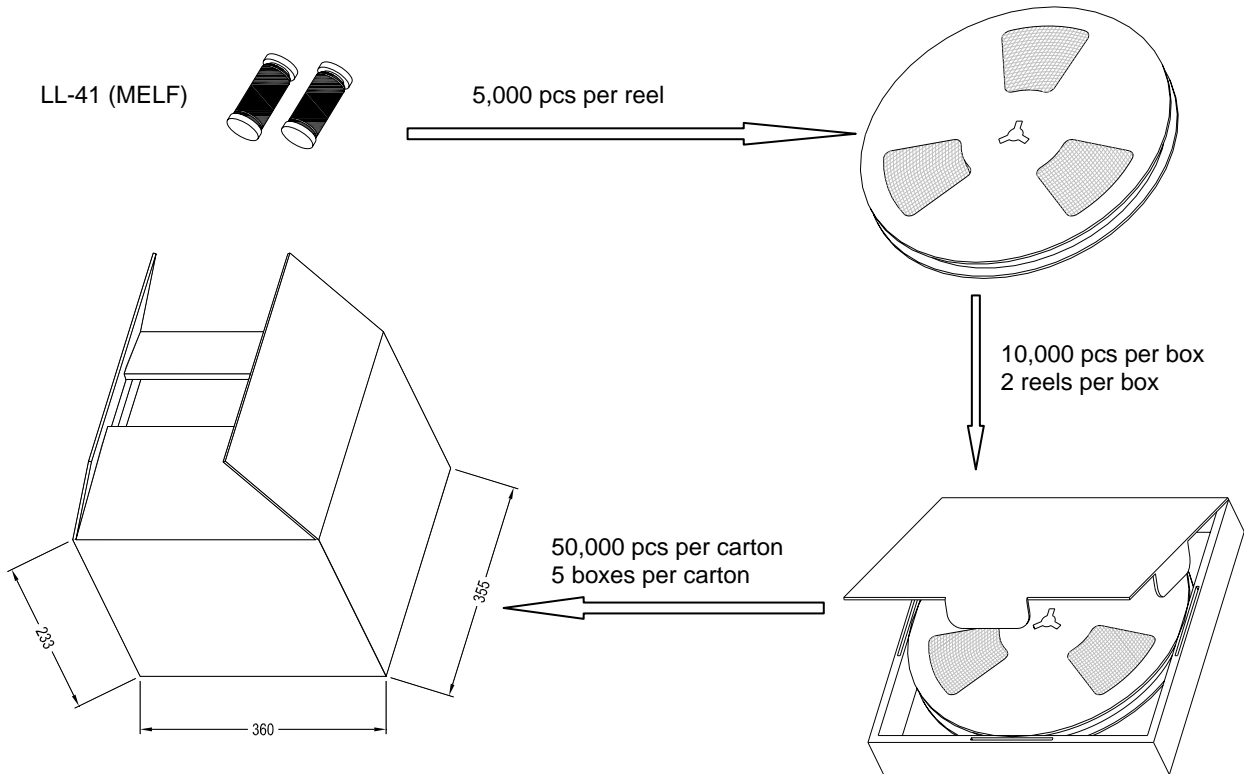


SEMTECH ELECTRONICS LTD.
Subsidiary of Sino-Tech International (BVI) Limited



Packaging Specifications for Surface Mounted Glass Diodes

1. The method of packaging and dimension are shown as below figure. (Dimension in mm)



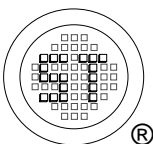
2. Label

2.1 The information of inner box label must be listed: (Description of a sample lable)

- | | | |
|-------|------------------------------------|---------------------------------|
| 2.1.1 | TYPE ZM4733A
[Barcode] | means (Product) TYPE (Part No.) |
| 2.1.2 | QTY 10,000 PCS
[Barcode] | means (Product) Quantity (QTY) |
| 2.1.3 | D/C TT0D5G0725Z | means Dice Lot No. / Code (D/C) |
| 2.1.4 | P/C 400063614 150 | means Production Code (P/C) |
| 2.1.5 | [Barcode] RMK 80126 PX | means Manufacturing Date (RMK) |

2.2 The information of carton label must be listed:

- 2.2.1 TYPE
- 2.2.2 QTY



SEMTECH ELECTRONICS LTD.
Subsidiary of Sino-Tech International (BVI) Limited



Dated : 22/11/2010 Rev:01