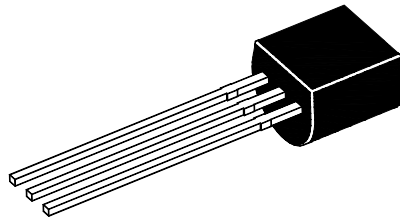


# TO-92 Package Outline

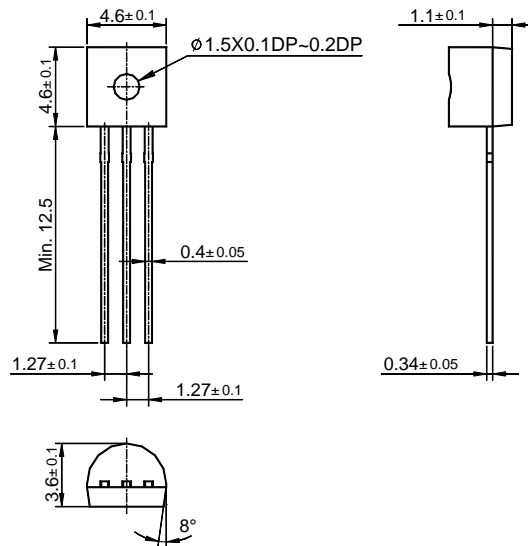
## Package Outline Dimensions (Units: mm)



TO-92 Plastic Package

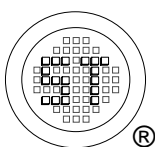
Pin in – Line

Weight approx. 0.19g



| AVAILABLE PIN OPTIONS |        |        |       |
|-----------------------|--------|--------|-------|
| PIN NO.               | 1      | 2      | 3     |
| TRANSISTOR            | E      | B      | C     |
|                       | C      | B      | E     |
|                       | E      | C      | B     |
| VOLTAGE REGULATOR     | OUTPUT | COMMON | INPUT |
| SCR                   | K      | G      | A     |

Note: E – Emitter, B – Base, C – Collector  
K – Cathode, G – Gate, A – Anode



**SEMTECH ELECTRONICS LTD.**  
Subsidiary of Sino-Tech International (BVI) Limited



Dated: 16/03/2012