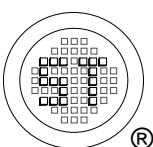
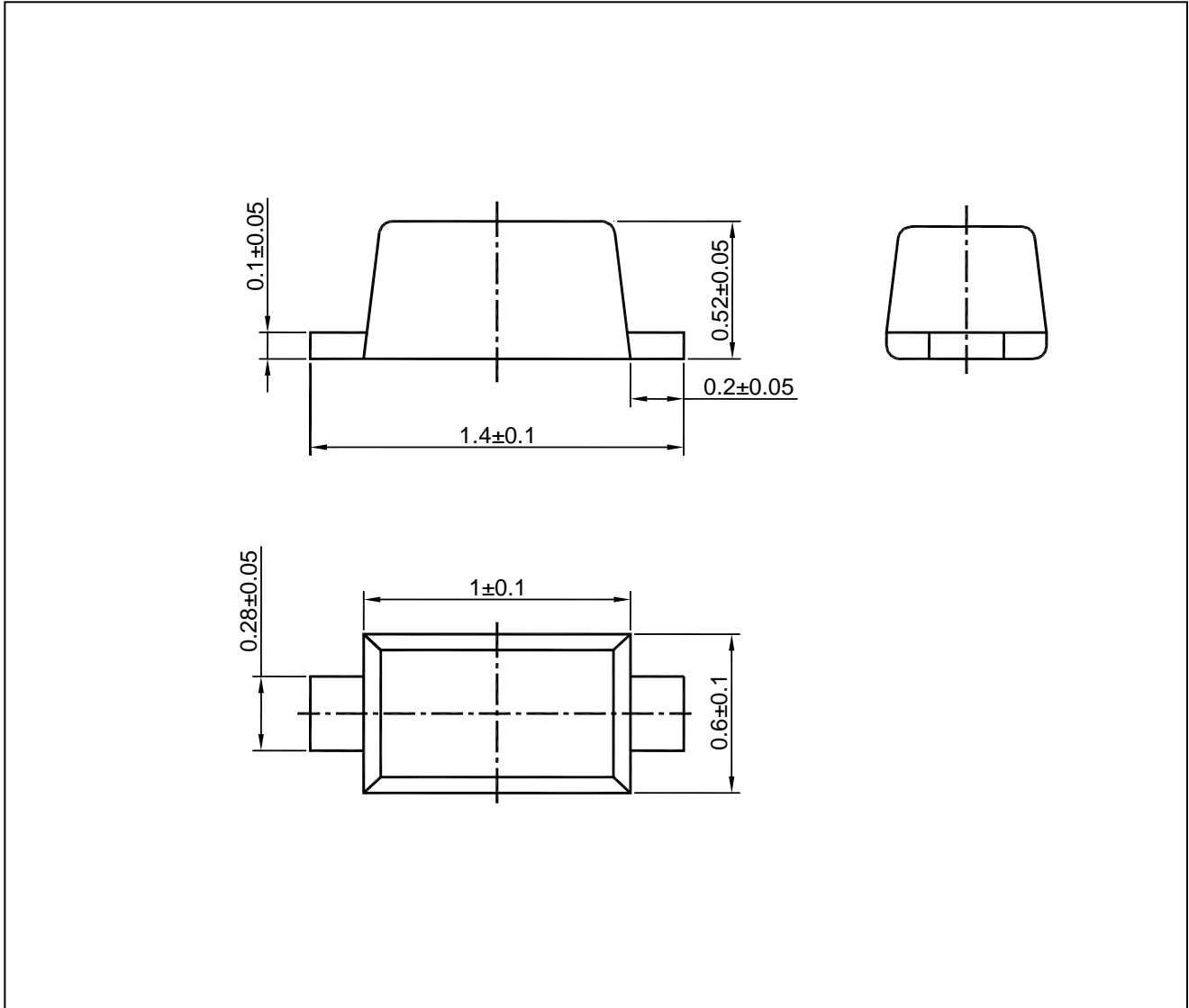


SOD-723 Package Outline

Plastic surface mounted package; 2 leads

Package Outline Dimensions (Units: mm)



SEMTECH ELECTRONICS LTD.
Subsidiary of Sino-Tech International (BVI) Limited



Dated : 28/07/2010 Rev:01